



Fahrbach[®]

Kunststoffspritzteile Schnellbinder

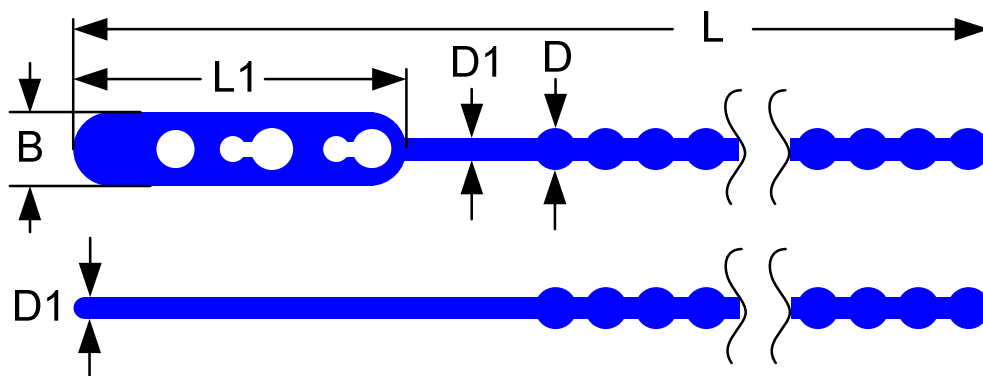
HERMANN FAHRBACH GMBH

WA14/Dokumente/Binder/fastener-data.doc Vers. 27.8.2014

Plastic fasteners, reusable bag and cable ties

Specification Data Sheet

Dimensions



| Type | L | D | D1 | B | L1 |
|-----------|--------|--------|--------|-------|-------|
| 1-140-xxx | 140 mm | 3,5 mm | 2,0 mm | 7 mm | 30 mm |
| 1-190-xxx | 190 mm | 3,5 mm | 2,0 mm | 7 mm | 30 mm |
| 1-245-xxx | 245 mm | 4,0 mm | 3,0 mm | 9 mm | 43 mm |
| 1-360-xxx | 360 mm | 5,0 mm | 3,0 mm | 11 mm | 50 mm |
| 1-500-xxx | 500 mm | 5,5 mm | 3,5 mm | 13 mm | 48 mm |

Color code xxx

-000 : nature/transparent; -005: red; -010: blue; -015: yellow; -020: green; -025: black

Material (Extract of the original Material Safety Data Sheet of raw material supplier)

Base material: Identification of the substance: Low Density Polypropylene (LDPE).

CAS Number: 9002-88-4; Flammable Class: Flammability Risc 1 (Slight).

Hazardous substances: Not applicable, inert substance.

Toxicological characteristics: This product is non toxic.

Substances present at a concentration below the minimum danger:

Within the present knowledge of the supplier, this product does not contain any hazardous ingredients in quantities requiring to report in this section in accordance with EU or national regulations.

Ecotoxicity: No specific ecological data available.

Colour additive: Containing organic and anorganic pigments.